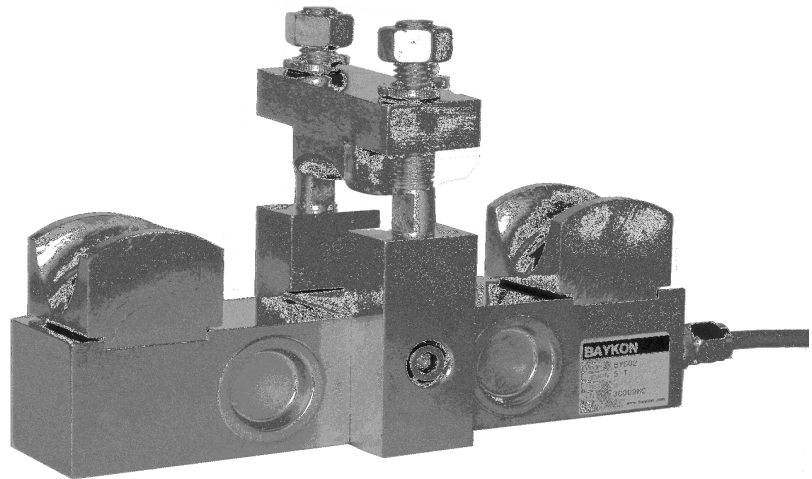


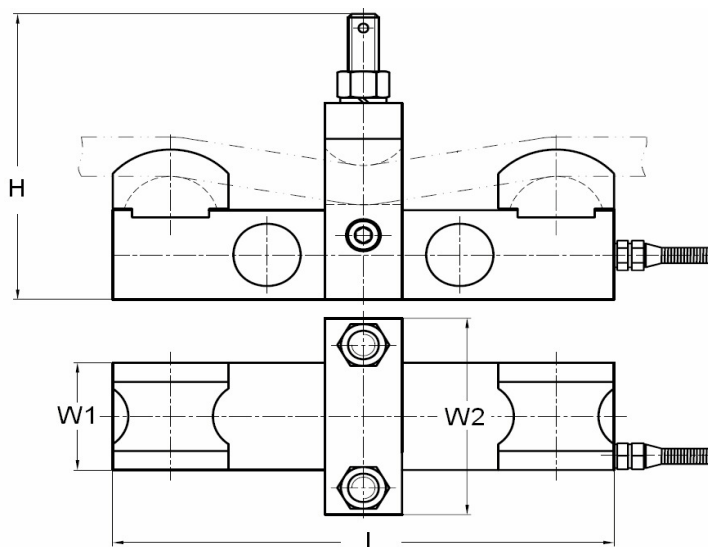
Type BY602 is a steel construction, wire rope tension type loadcell. It is suitable for wire rope weighing, overload alarming and similar type of tension weighing.

Key features;

- Capacity: 5 and 10 tons
- Steel construction
- Protection IP68
- High accuracy



Dimensions (mm);



Capacity	5t	10t
H	199,5	238
L	200	260
W1	40	60
W2	75	110
Rope	16~26	24~36

Color codes;

+input	blue
+output	white
-input	black
-output	red
shield	yellow

Technical specifications;

Capacity	ton	5 / 10
Output sensitivity	mV / V	1.0 ± 0.05
Temperature effect on zero	%FS / 10°C	≤ 0.03
Temperature effect on sensitivity	%FS / 10°C	≤ 0.02
Combined error	%FS	≤ 0.03
Creep	%FS	≤ 0.02
Input resistance	Ω	750 ± 10
Output resistance	Ω	702 ± 3
Insulation resistance	MΩ	≥ 5000
Zero balance	%FS	≤ 1
Temperature, operating	°C	-30...+70
Excitation, Recommended	V	5 - 12 (DC)
Excitation, Maximum	V	15 (DC)
Safe overload	%FS	150
Ultimate overload	%FS	200
Construction		Steel
Environmental protection		IP68
Cable		Length 14 m , diameter 6 mm

(Properties are subject to change without notification. 01 / 2009)